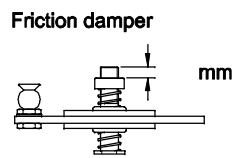
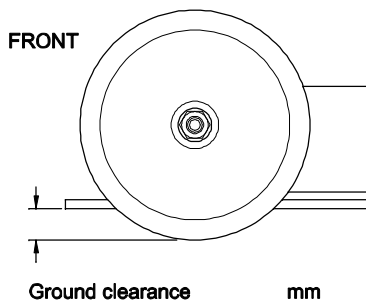
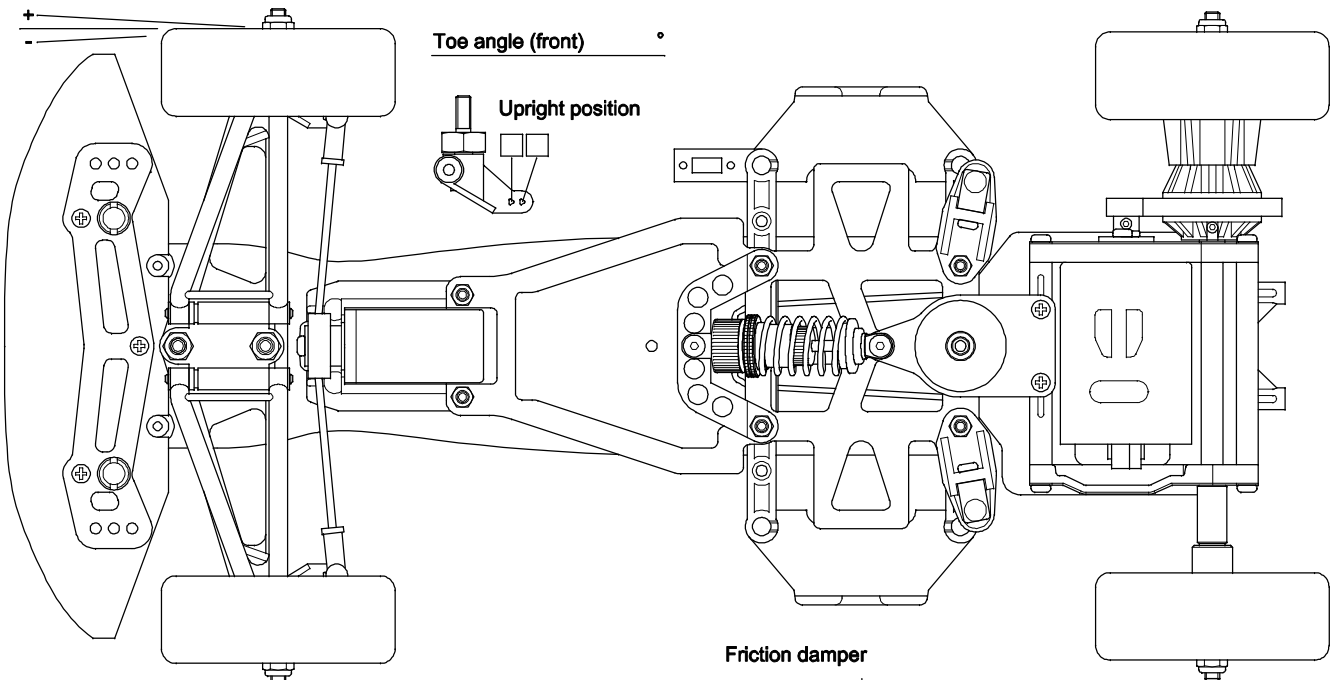


F103GT DIRECT DRIVE CHASSIS

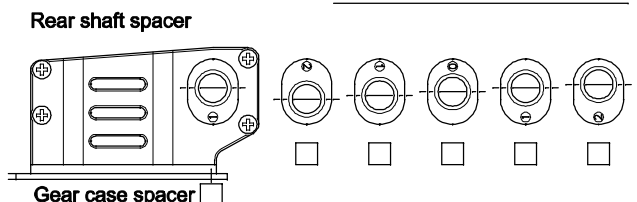
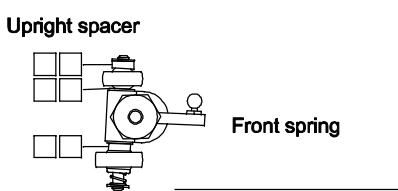
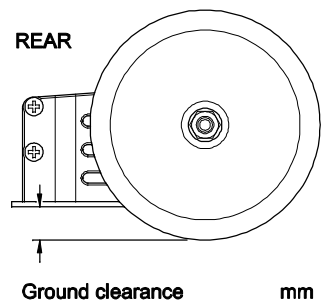
SETTING SHEET

Name	Date	Air temp.	Humidity
Track	Track condition	Track temp.	



Friction pad
 Normal Low-Friction

Friction grease
 Soft
 Medium
 Hard



Damped

_____ mm

Piston _____ hole(s)

Oil _____ #

Spring _____

Motor _____	Spur gear _____	T _____	Pinion gear _____	T _____
Front wheel _____	Front tire _____	Front tire diameter _____	mm	
Rear wheel _____	Rear tire _____	Rear tire diameter _____	mm	
Body _____	Best lap _____	Rear wing _____		
Battery _____	Spur gear module _____			
Memo _____				